



ADVANCED LASER WELDING AUTOMATION WITH DUAL-STATION FERRIS WHEEL DESIGN

The EasyArc™ FW Laser Weld Cell is a fully integrated, Class 1 laser-safe robotic welding system engineered for high-throughput manufacturing environments. Featuring a Ferris Wheel-style dual-station servo positioner, this innovative design allows operators to safely load and unload parts from one side while welding continues uninterrupted on the other—maximizing productivity without sacrificing safety.

Pre-wired, pre-assembled, and easy to install, the FW Laser Cell improves weld consistency, reduces cycle time, and lowers labor costs—all in a compact, skid-mounted package.

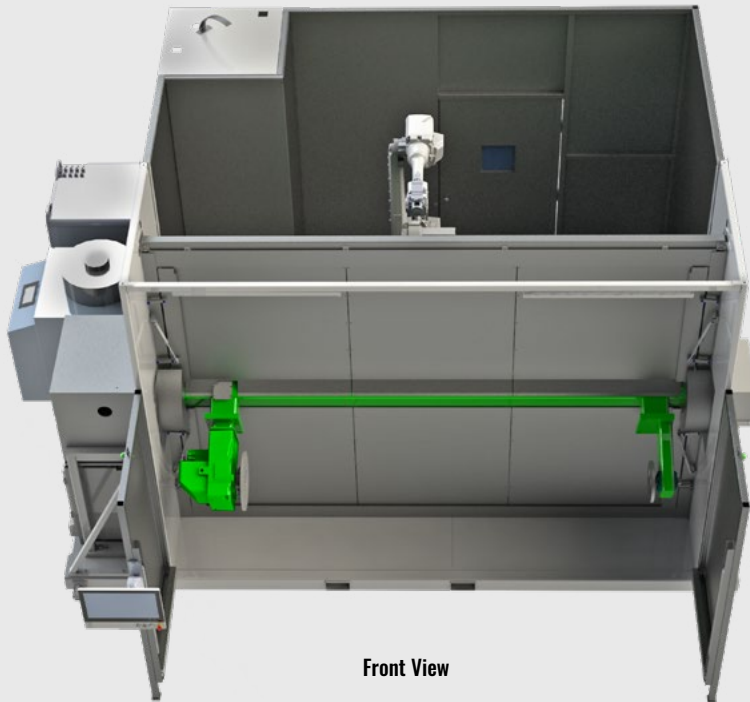
Why Choose EasyArc?

- ◆ **Laser Welding Expertise** – Experienced integrators who understand your parts and process needs
- ◆ **Proven Solutions** – Pre-tested with your parts before deployment
- ◆ **Reliable Support** – 24/7 tech assistance and parts availability
- ◆ **Trusted Integration** – Backed by MWES's track record in turnkey automation and long-term support

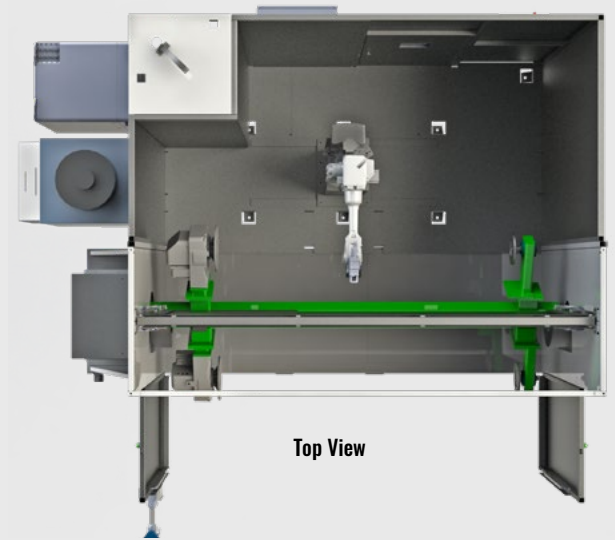
KEY FEATURES:

- ▶ **INTEGRATED LASER WELDING PACKAGE**
Configured for conduction or keyhole welding, with options including beam shaping optics, camera ports, chiller skid, and beam monitoring.
- ▶ **COORDINATED MOTION FOR PRECISION WELDING**
Servo-driven outboard positioners rotate parts into optimal weld positions, improving penetration and overall weld quality.
- ▶ **CENTRALIZED OPERATOR CONTROL**
Full-color teach pendant and control panel streamline diagnostics, programming, and live system control.
- ▶ **LASER SAFETY COMPLIANCE**
Class 1 laser-safe enclosure meets ANSI Z136.1, RIA R15.06-2012, UL 1740, NFPA 79, and CSA Z434—no additional guarding required.
- ▶ **IMPROVE WELD QUALITY & CONSISTENCY**
Delivers repeatable, high-quality welds in a variety of production environments.
- ▶ **SCALABLE FOR HIGH-VOLUME NEEDS**
System design supports optional second robot integration—doubling throughput with no additional footprint.

EASYARC™ FW LASER WELDING SYSTEM



Front View



Top View

STANDARD SYSTEM SPECIFICATIONS

- ◆ **ABB® 8 kg Industrial Robot** — designed for laser welding precision
- ◆ **MWES Cell Controller** — includes resume, shifting, and built-in help functionality
- ◆ **Outboard Axis Servo Positioner** — 500 kg (1,100 lb) load capacity per station
- ◆ **Swing Diameter:** 1,067 mm (42 in)
- ◆ **Span Between Headstock & Tailstock:** 3,000 mm (118 in)
- ◆ **Laser Power Options:** 4kW, 6kW, or 8kW fiber laser
- ◆ **Class 1 Laser-Safe Full Enclosure** — compliant with ANSI and RIA safety standards
- ◆ **Cold & Hot Wire Feed Options**
- ◆ **Integrated Fume Hood** — optional fume collection system available
- ◆ **Fully Pre-Wired & Pre-Assembled** — ready for fast installation
- ◆ **1-Year Warranty Included**

DIMENSIONAL & SHIPPING DETAILS

- ◆ **System Footprint (L×W×H):** 120 × 182 × 120in (3,048 × 4,622 × 3,048 mm)
- ◆ **Shipping Weight:** 9,000 lb (4,082 kg)
- ◆ **Forklift-Friendly Design** for easy relocation & site integration

The EasyArc™ FW Laser Weld Cell delivers high-speed, precision laser welding in a compact, dual-station system—designed to boost throughput, improve weld quality, and simplify automation. Backed by MWES's proven integration expertise and 24/7 support, it's a smart solution for manufacturers ready to scale their welding performance.

Learn more at www.mwes.com or contact us to get started with an EasyArc welding system.



www.mwes.com | 866.880.MWES | info@mwes.com

MWES, Innovation Through Automation and EasyArc are trademarks of Midwest Engineered Systems.
©2025 Midwest Engineered Systems. All rights reserved.

R053025